

ILL-SW0008 .1611

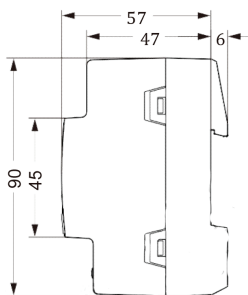


8 Fold 16A Switch Actuator

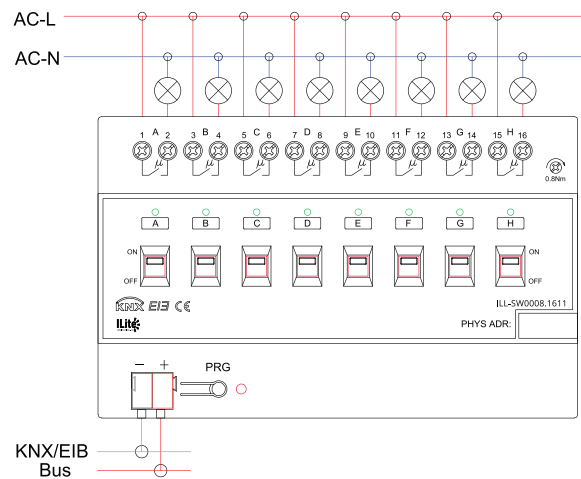
FEATURES

- Current measurement range 10mA-16A
- Each channel can be controlled independently and has an own supply phase
- Time functions (switch-on/off delay, Staircase light function)
- Status response (active/passive) for each channel
- Logical linking of binary data, 8 scenes perchannel
- Central switching functions and block functions
- Adjustable behaviour in case of bus voltage failure or return
- Integrated True RMS current measurement (current, kW)
- Time meter / Integrated counter to capture power consumption (Wh/kWh)

DIMENSIONS (mm)



WIRING DIAGRAM



SPECIFICATIONS

Power supply characteristics	KNX-Bus Voltage	21...31V DC
	Supply current	< 12mA
	Consumption	< 250mW
Nominal output characteristics	Current range	0.5A...22A
	Control way	1-Fold/4-fold/6-fold/8-fold/12-fold
	Rated Voltage	110~440V AC(50/60Hz)
	Rated Current	16A max
	Leakage Loss Per Load	1.5W
Output Switching Current	$\mu=0.45$	12A/230V AC
	$\mu=0.8$	16A/230V AC
	Capacitive Load	16A/250V AC 140uf
	Minimum cut-off	0.1A/12..24V AC
	DC cut-off resistance load	22A/220V AC
Lifetime	ON-OFF operation life	>3000000times
	Terminal electrical life:	
	$\mu=0.8/240V$	>100000times
	$\mu=0.45/240V$	>30000times
External Connections	KNX-TP1	Twin cable comply with KNX standard are required
	Load-end Terminal	Minimum 0.6Nm torque are required for terminating
Operating and display interface	Programming button and corresponding indicator	LED
	Status Indication of switch position	LED
Enclosure	IP20\concealed cooling channel	EN60529
Safety Class	II	EN61140
Insulated isolation	Over-voltage	EN60664-1 III
	Electric network pollution	EN60664-1 2
Safety voltage	SELV	24V DC
Temperature Range	Operation	-5°C...+45°C (3K5 series)
	Storage	-25°C...+55°C
	Transport	-30°C...+70°C
Environmental	Maximum Humidity	95%